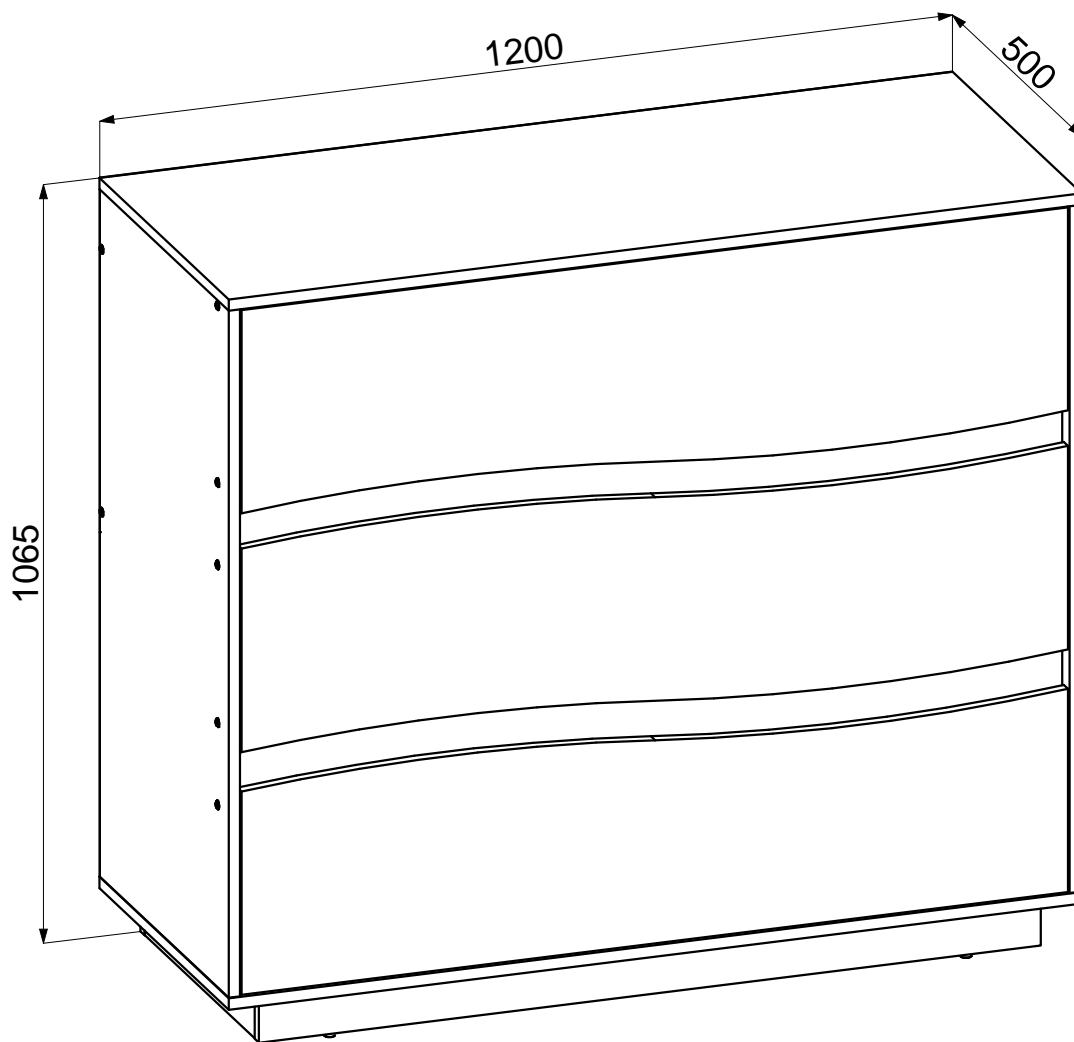
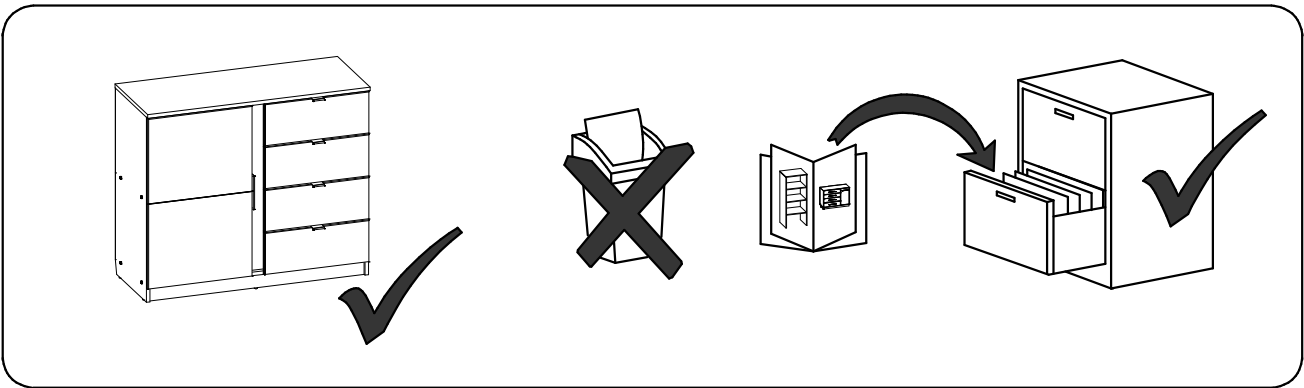
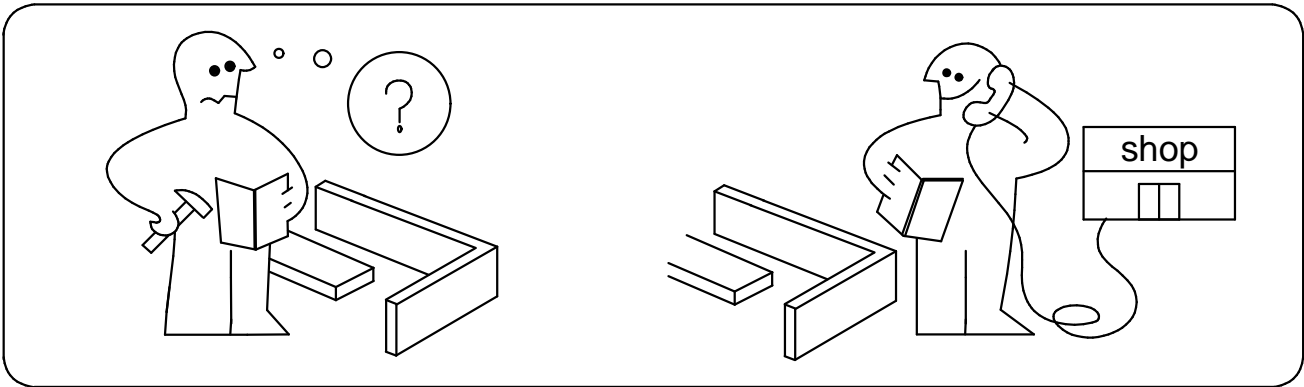
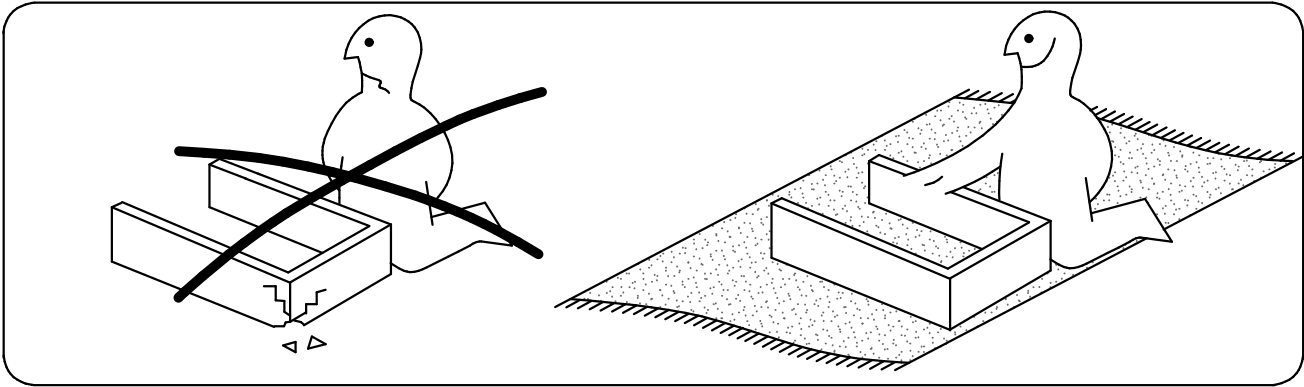
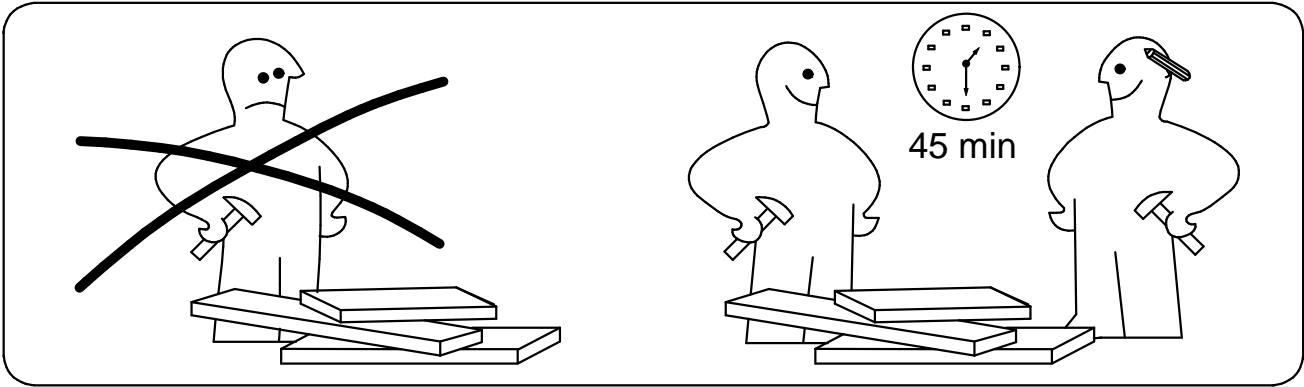
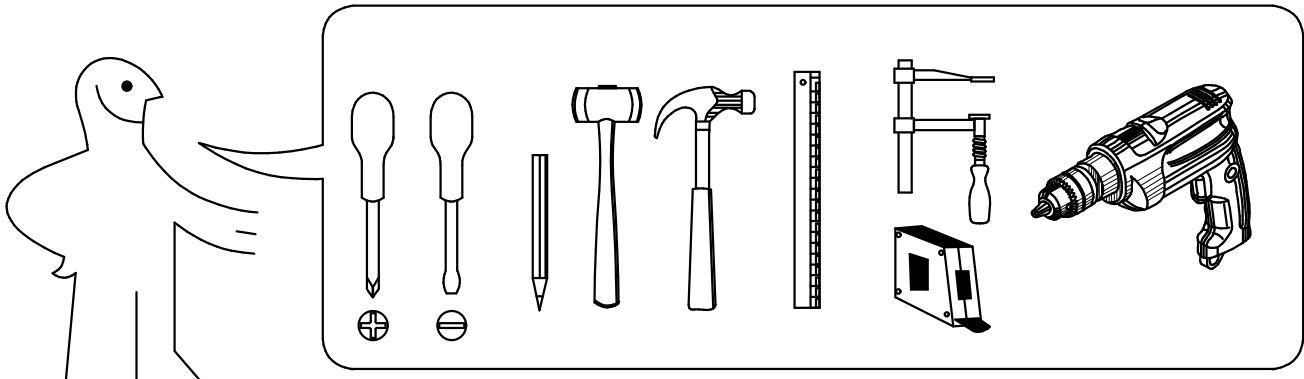
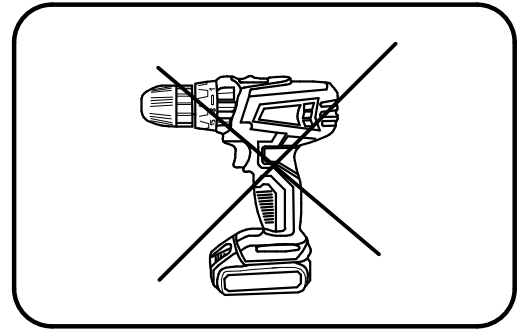
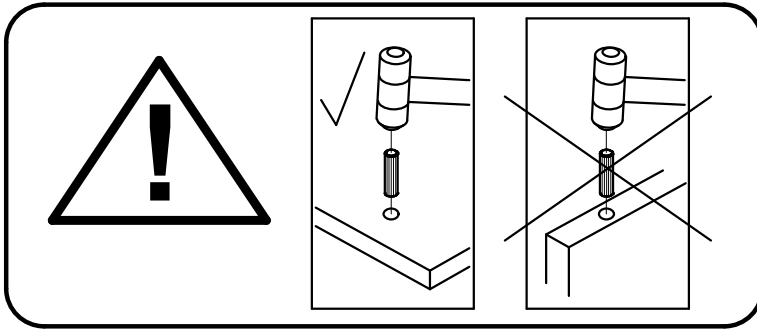


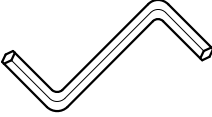





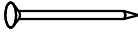

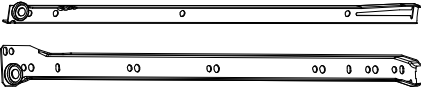
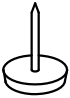



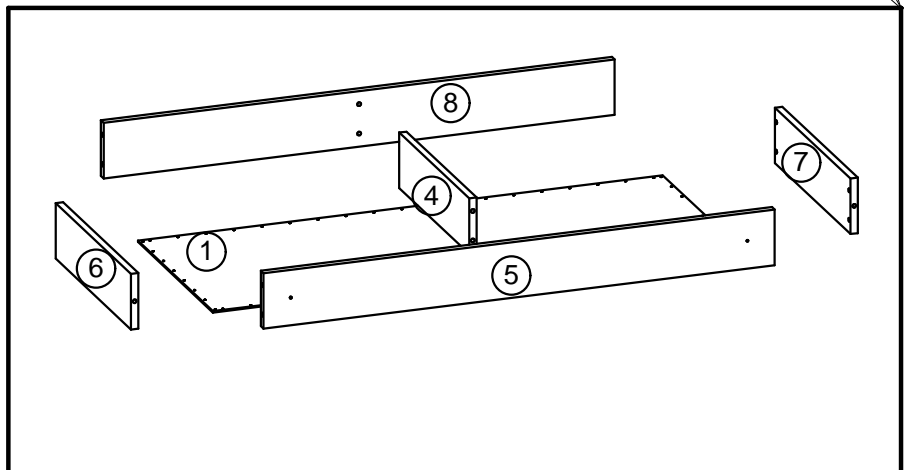
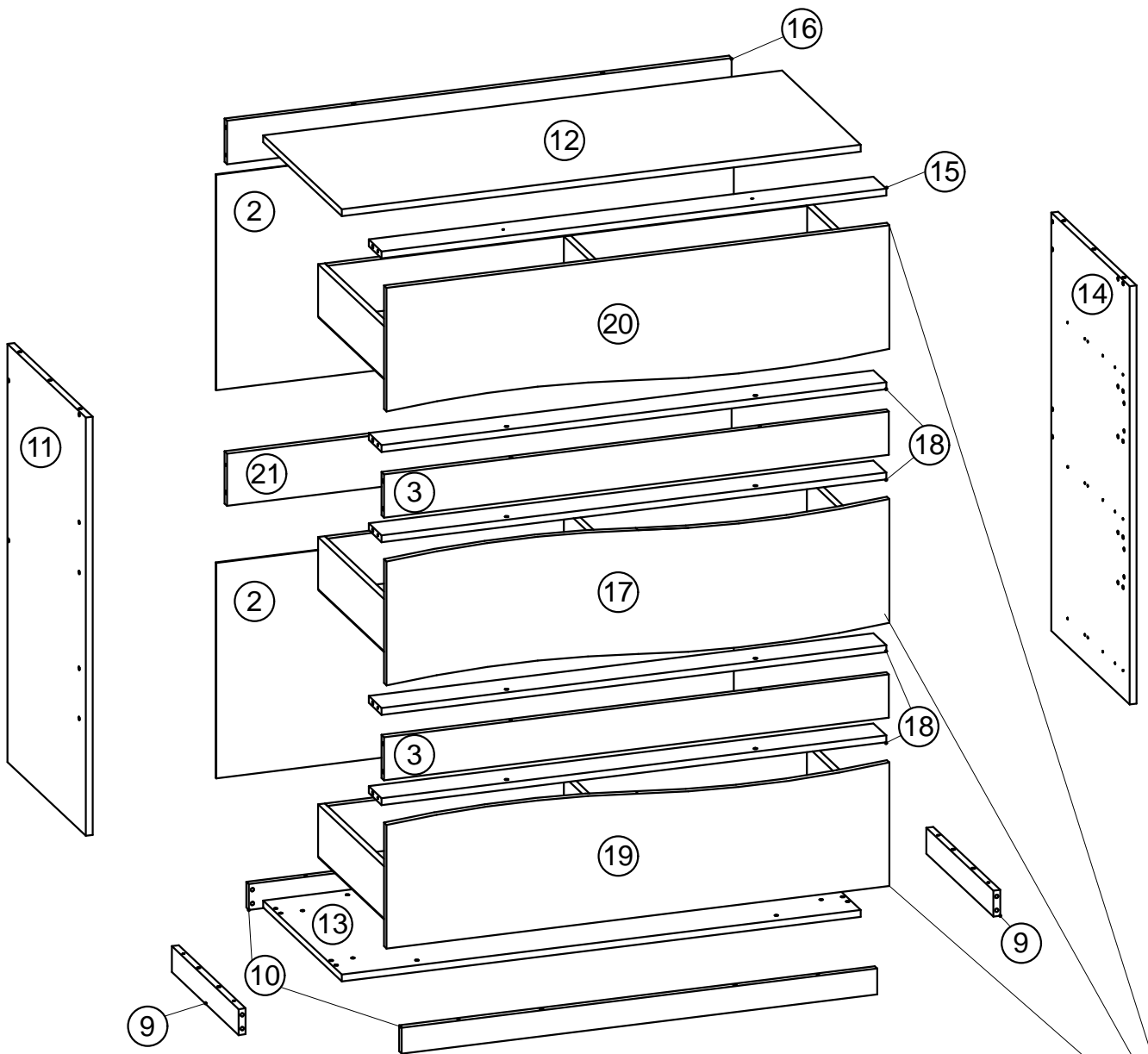
Скрин Виела 2





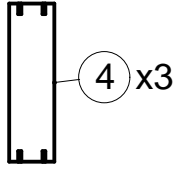


 Ø6,3x50 mm A1 x 34	 Ø12 mm A2 x 34	 4 mm A3 x 1	 Ø12x3 mm C x 6	 Ø3x16 mm D1 x 18
 Ø4x16 mm D2 x 18	 Ø4x20 mm D3 x 6	 Ø4x30 mm D4 x 8	 Ø1,6x25 mm F x 152	 Ø8x36 mm G x 92
 K x 3		 Ø15 mm N x 4	 50g R x 1	

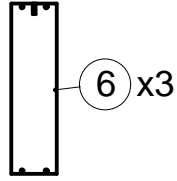


Box 1/3

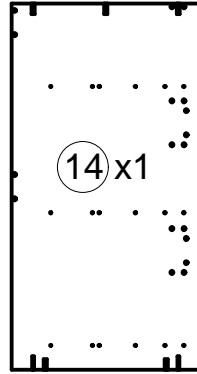
120x418x16 mm



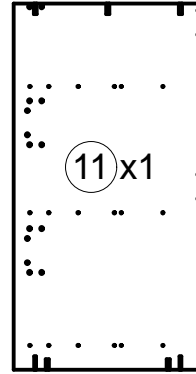
450x120x16 mm



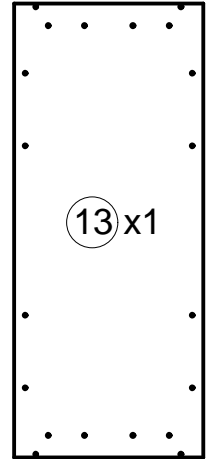
968x498x16 mm



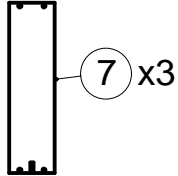
968x498x16 mm



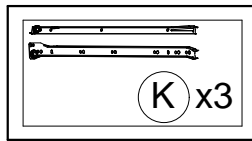
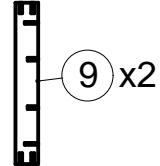
1200x500x16 mm



450x120x16 mm



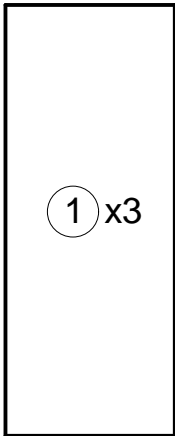
426x60x16 mm



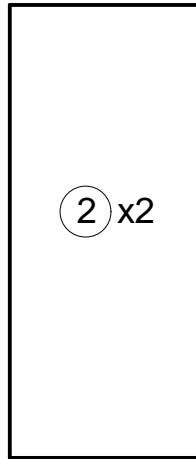
Fittings & Tools

Box 2/3

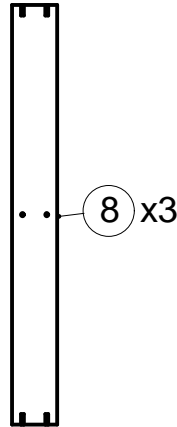
1140x448x3 mm



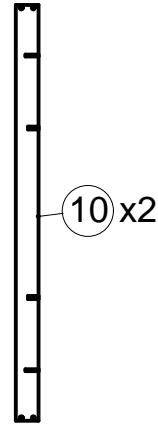
1198x499x3 mm



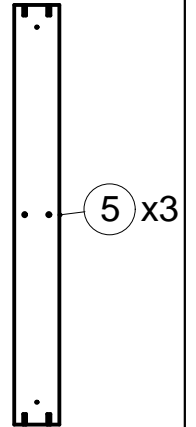
1110x120x16 mm



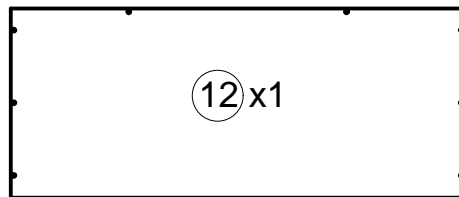
1100x60x16 mm



1110x120x16 mm

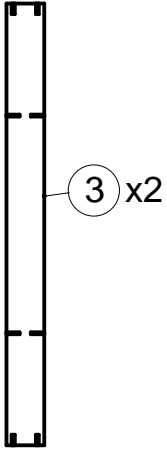


1200x500x16 mm

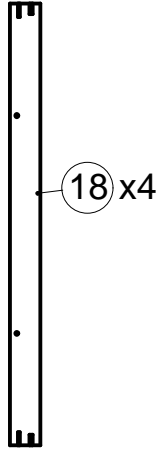


Box 3/3

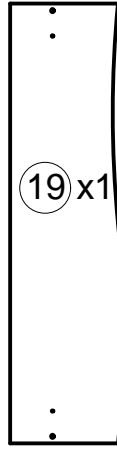
1168x100x16 mm



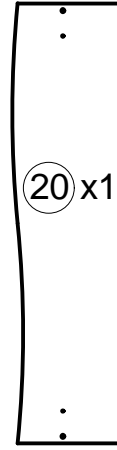
1168x80x16 mm



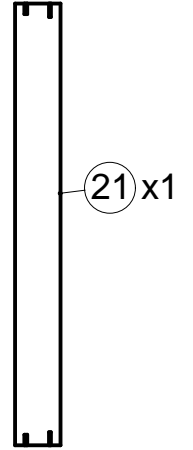
1163x300x16 mm



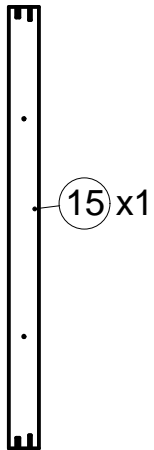
1163x300x16 mm



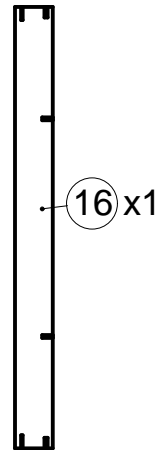
1168x120x16 mm



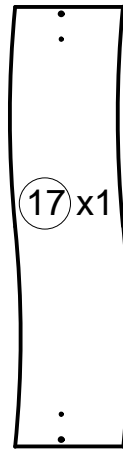
1168x80x16 mm



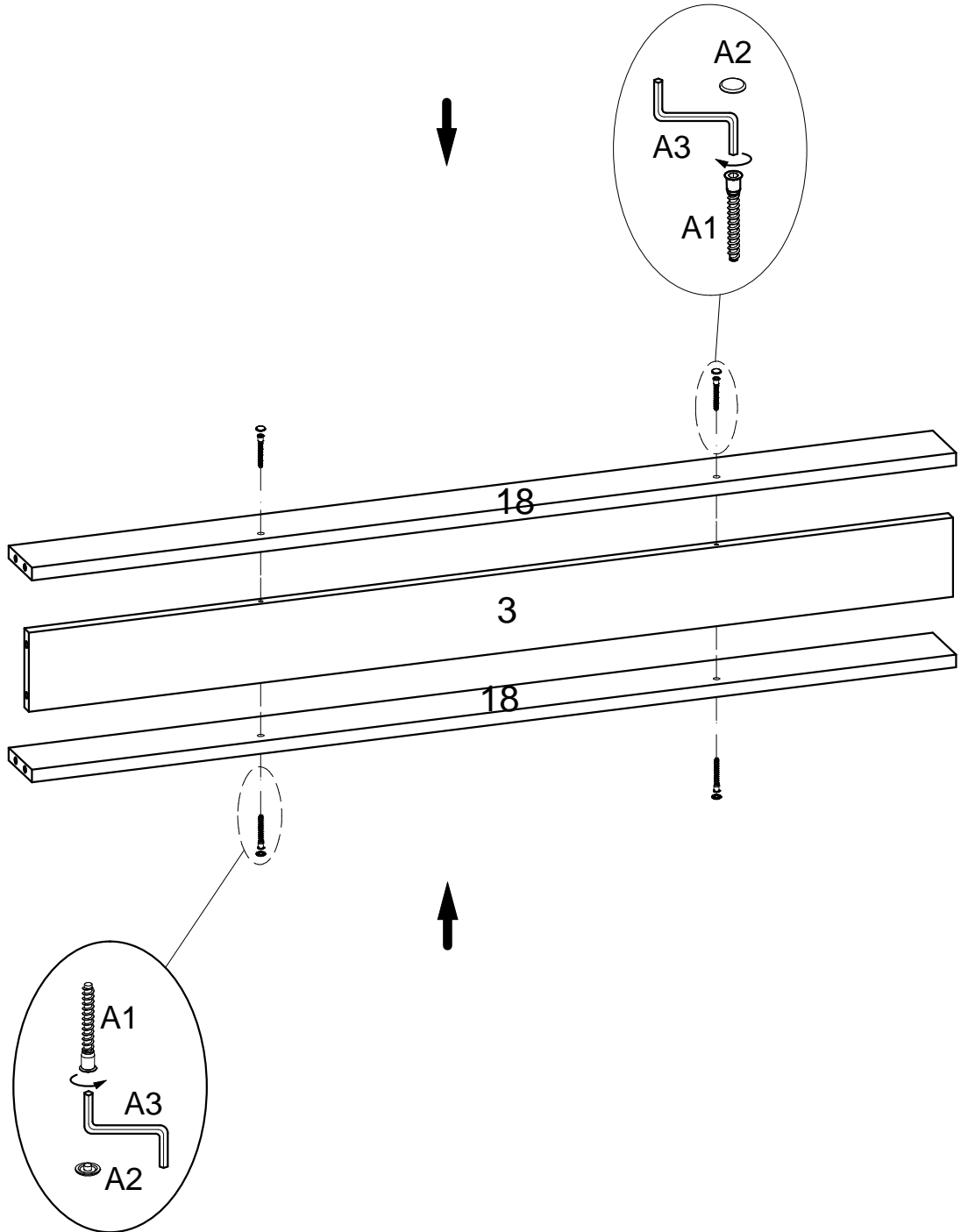
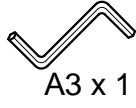
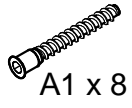
1168x100x16 mm



1163x315x16 mm



1



x 2

2



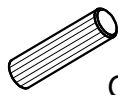
A1 x 14



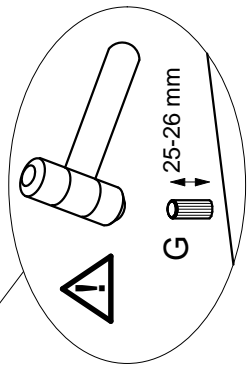
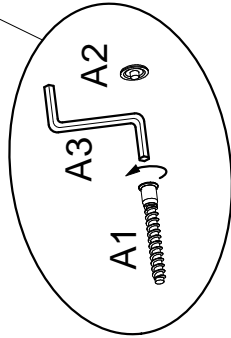
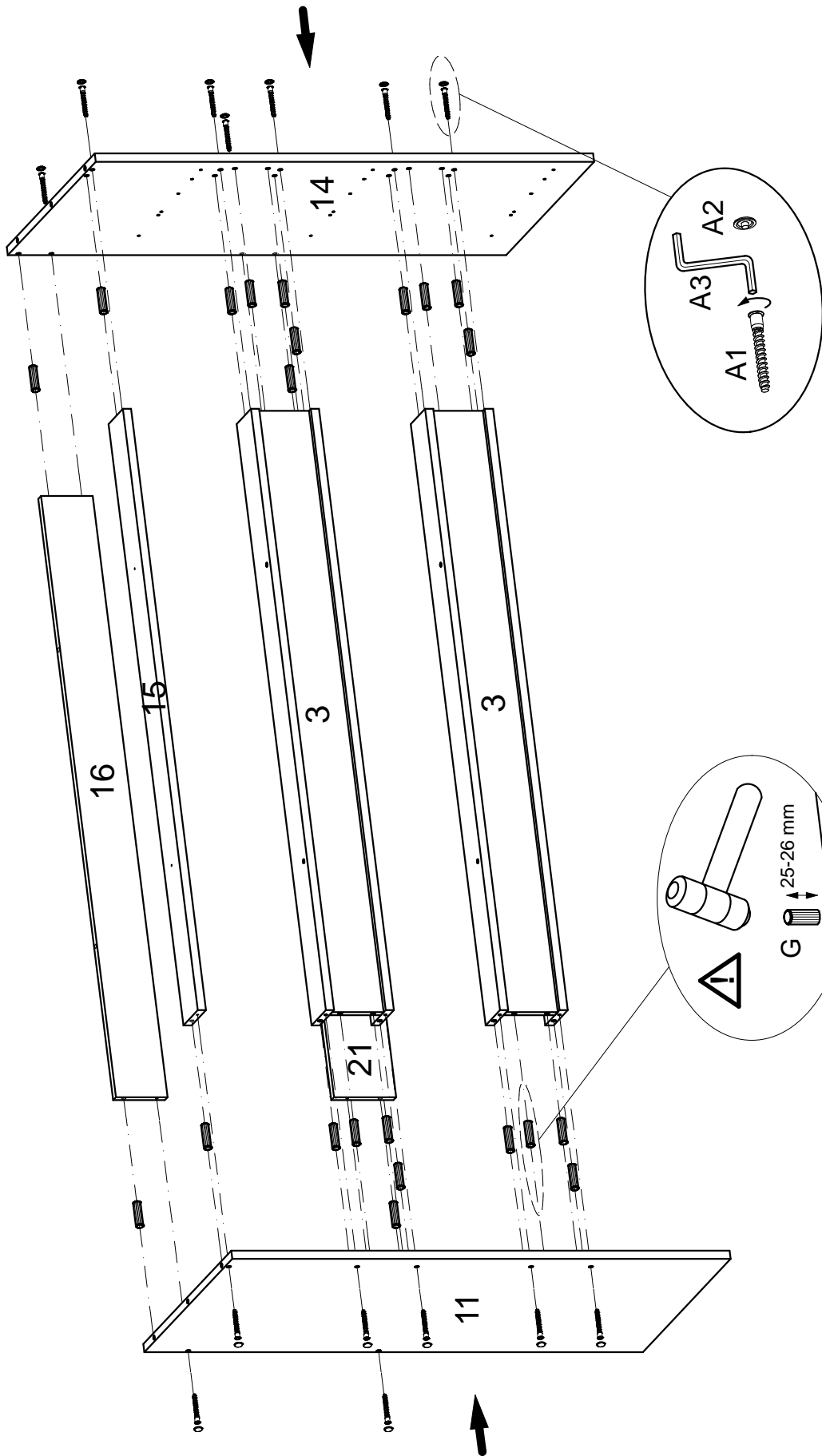
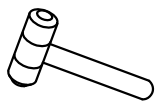
A2 x 14



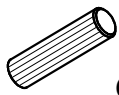
A3 x 1



G x 22



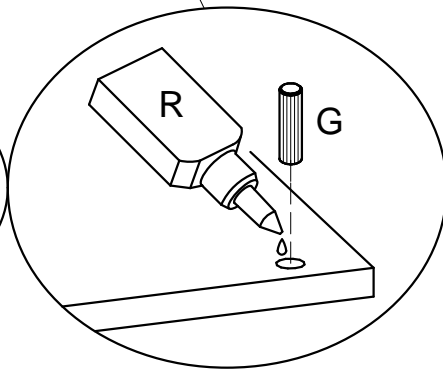
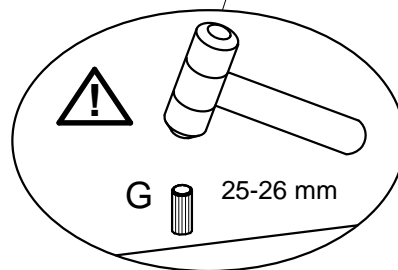
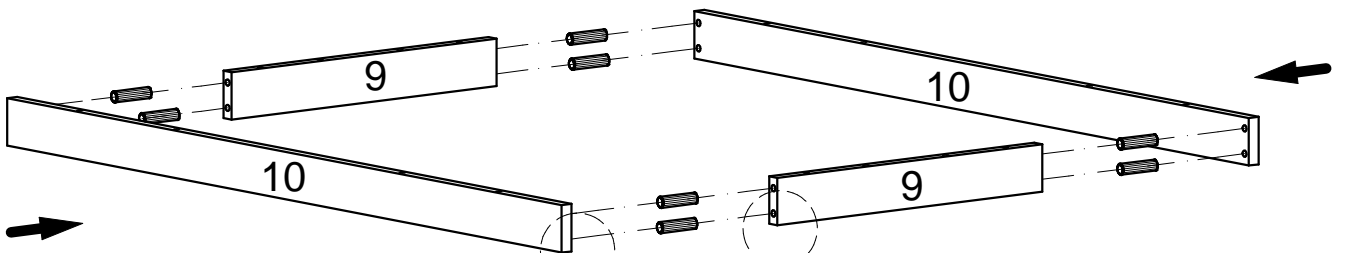
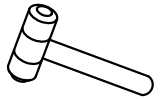
3



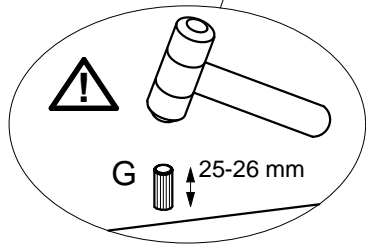
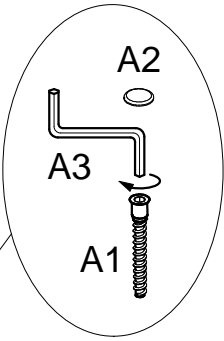
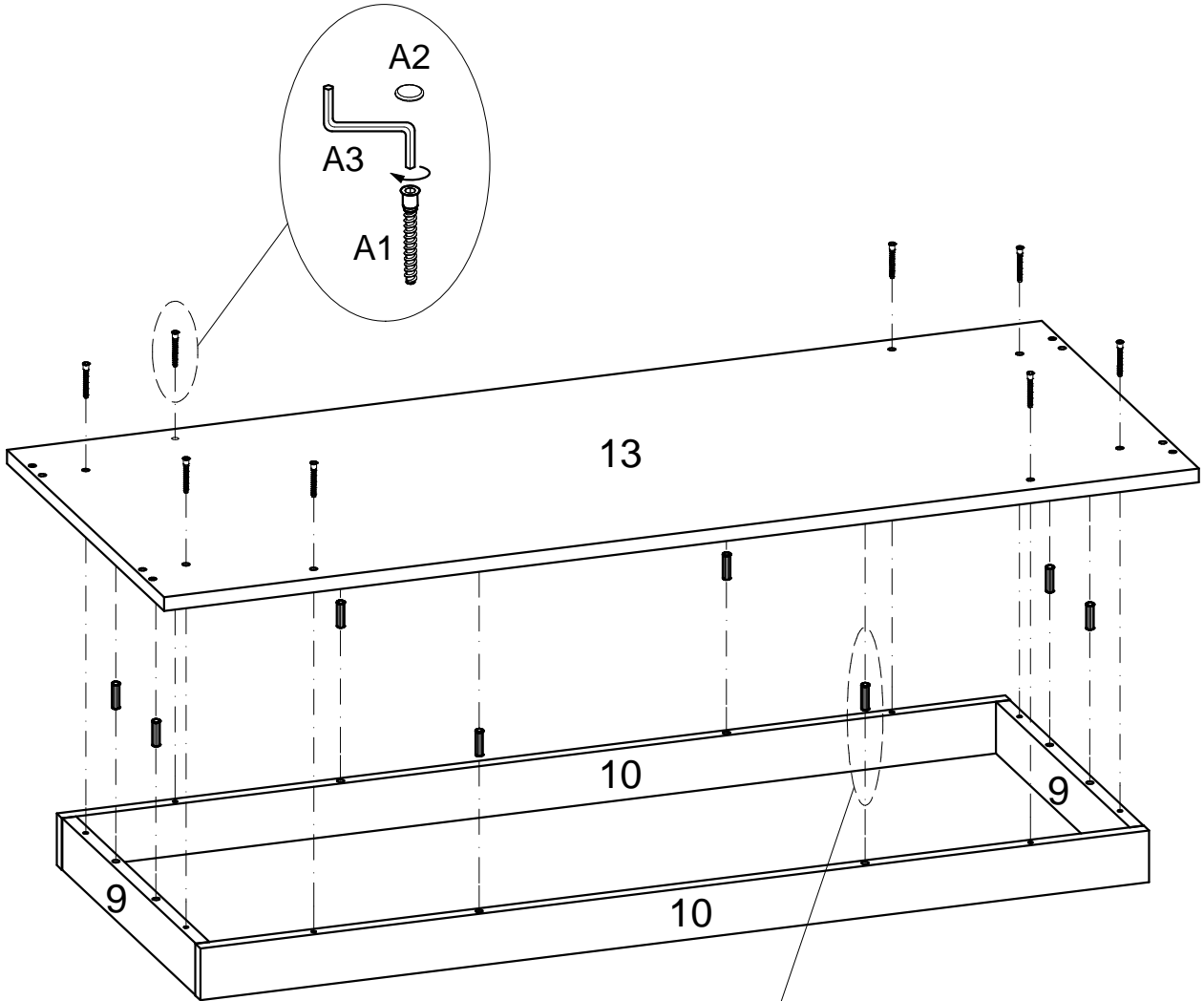
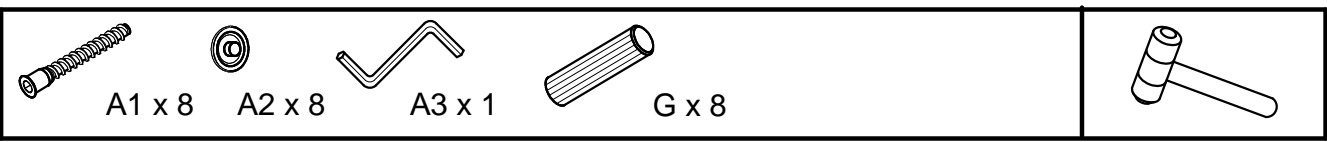
G x 8



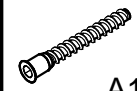
R x 1



4



5



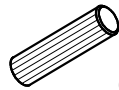
A1 x 4



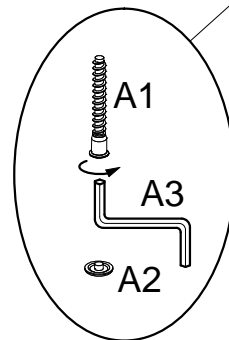
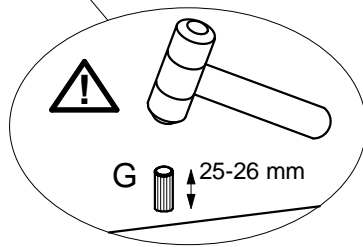
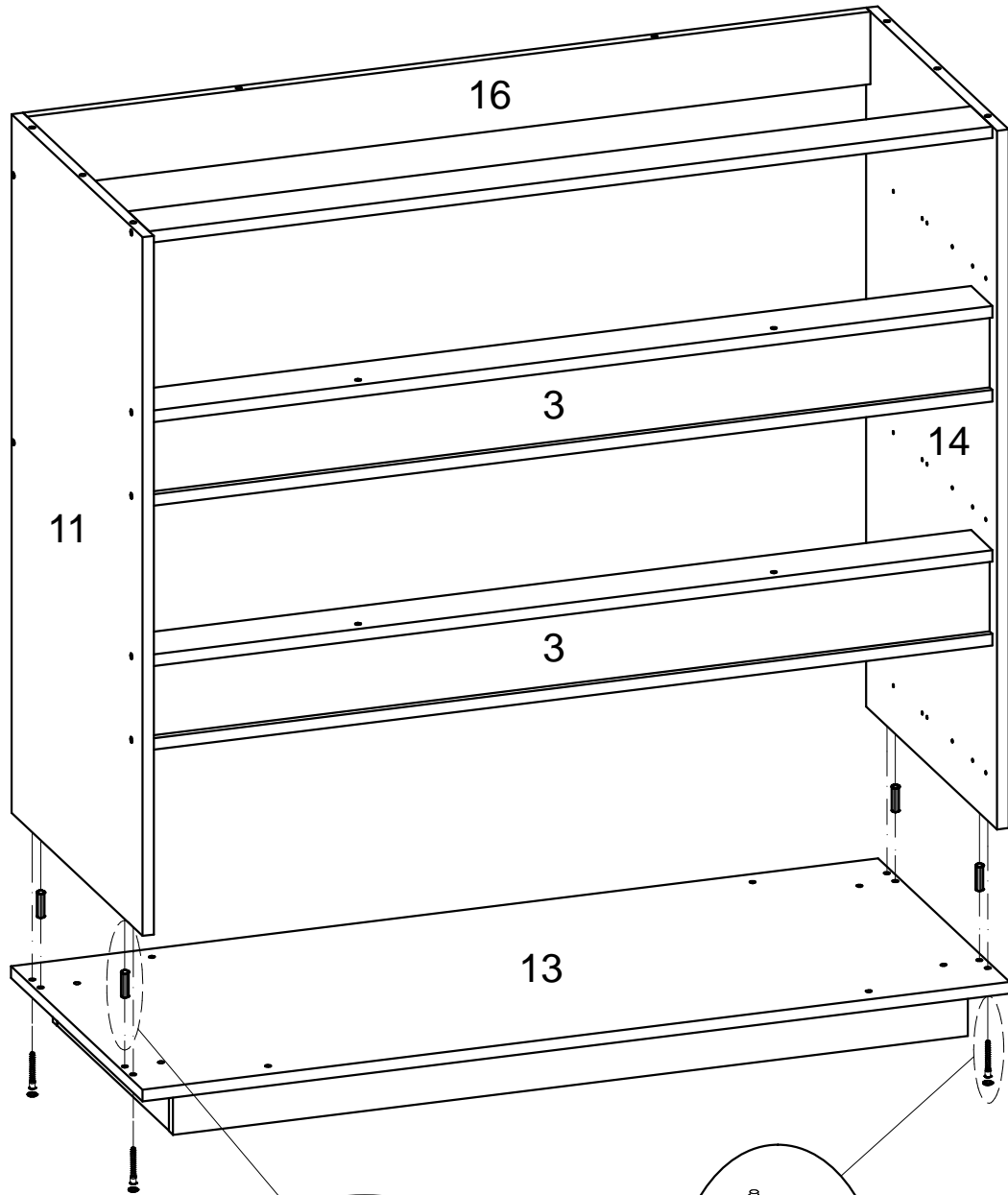
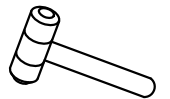
A2 x 4



A3 x 1



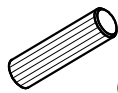
G x 4



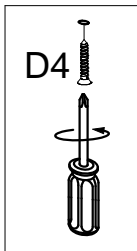
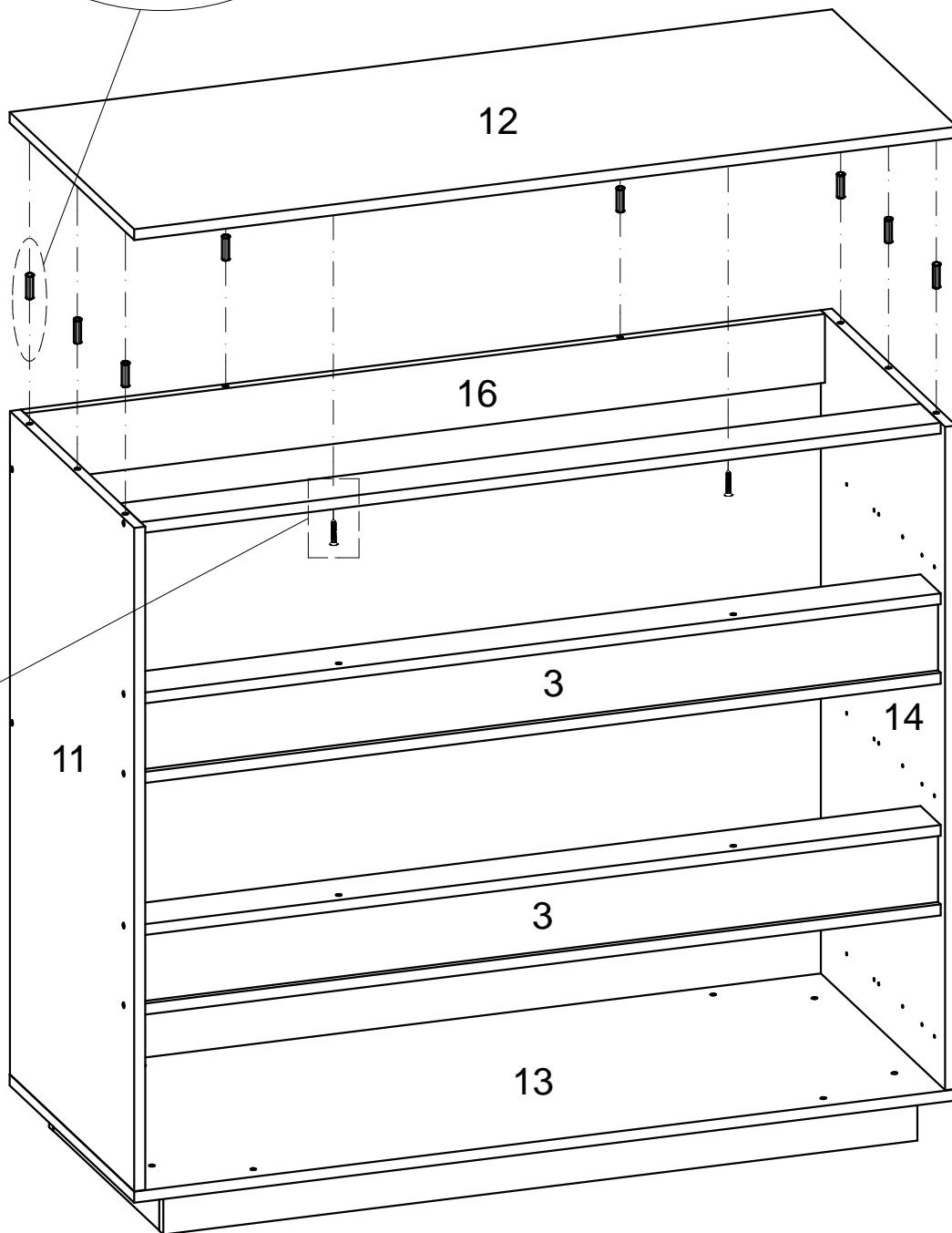
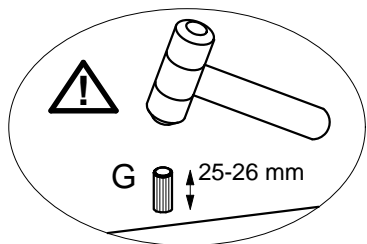
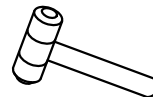
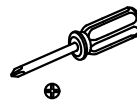
6



D4 x 2



G x 8



7



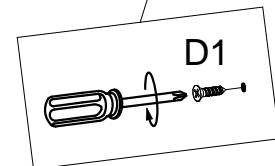
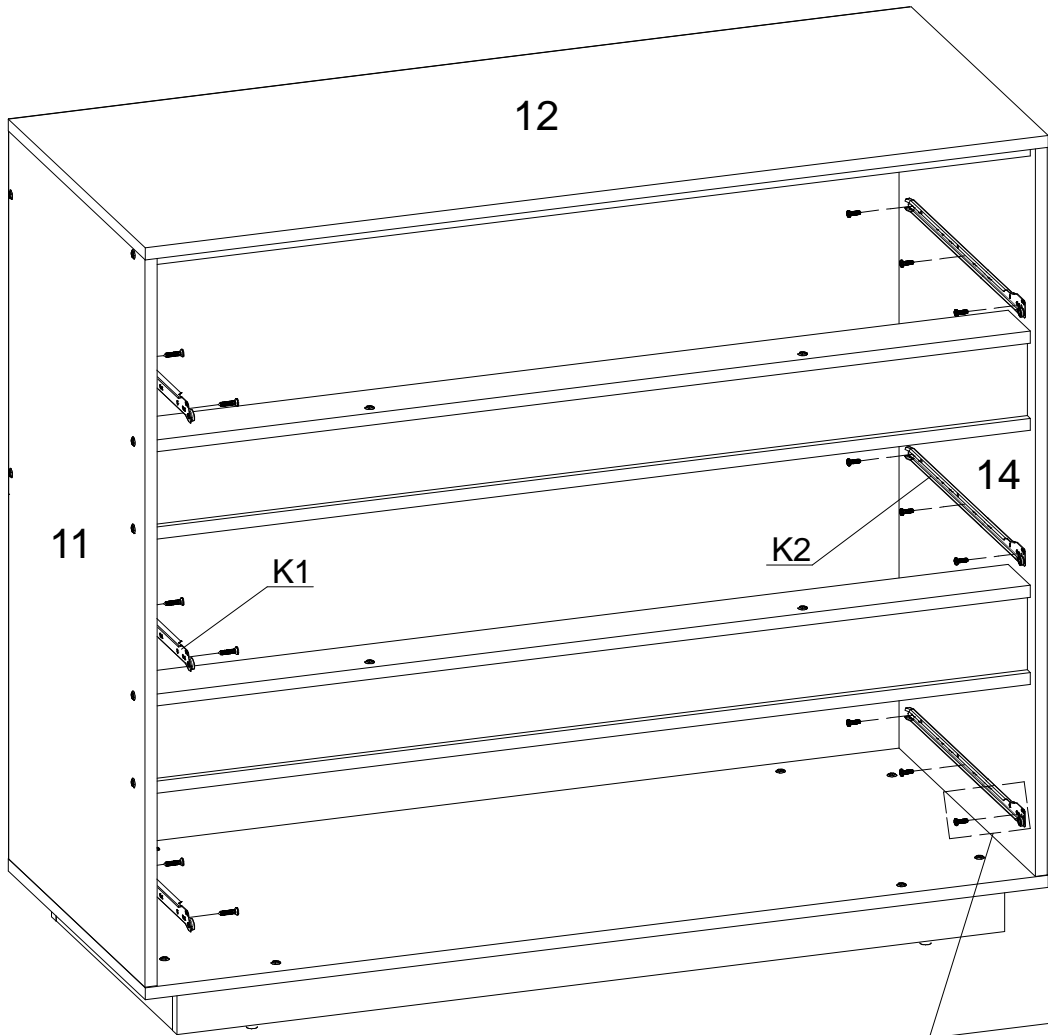
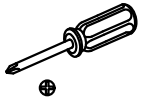
D1 x 18



K1 x 3



K2 x 3



8



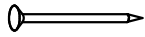
C x 6



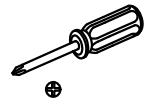
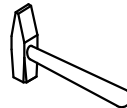
D3x6



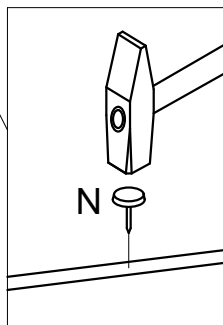
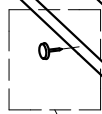
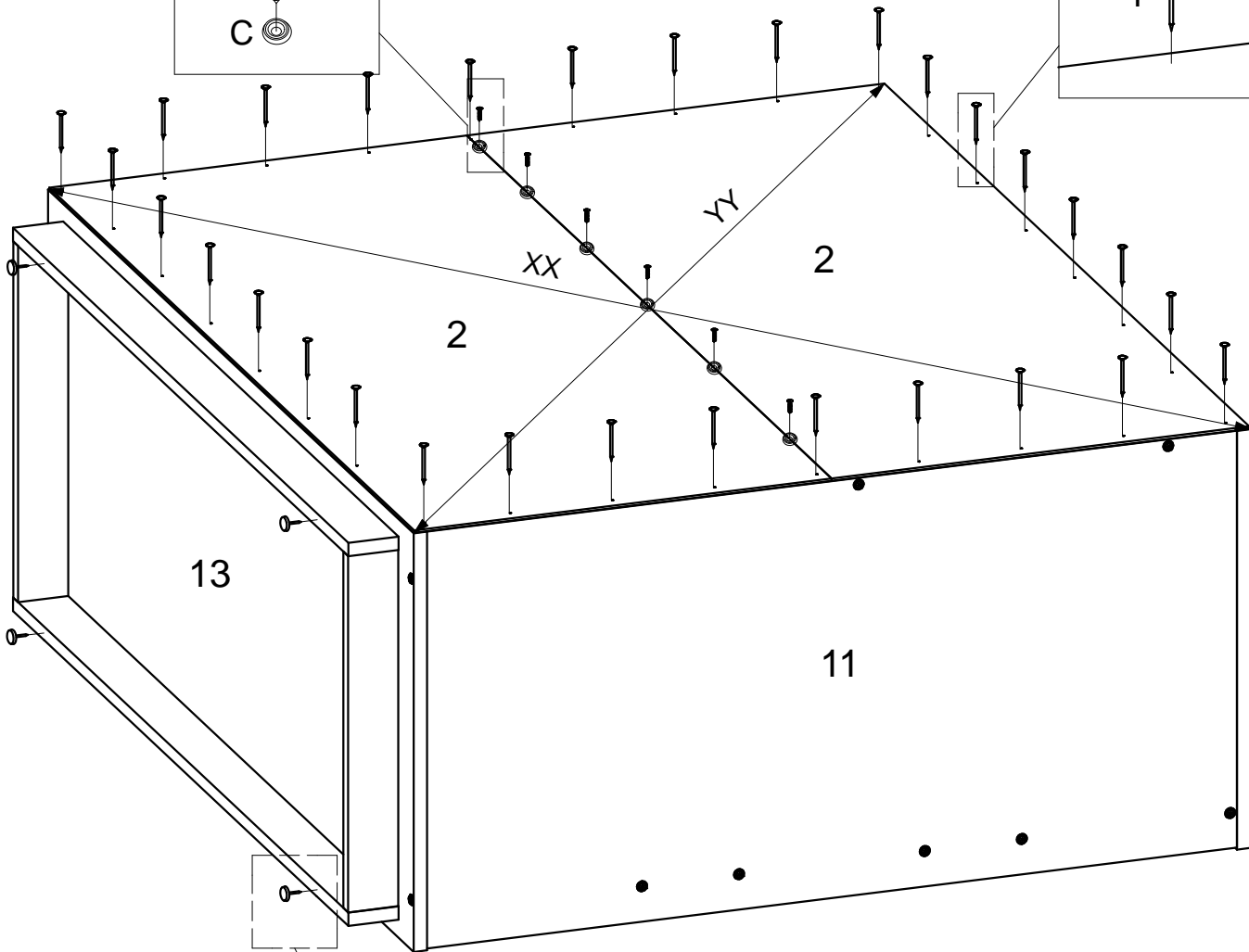
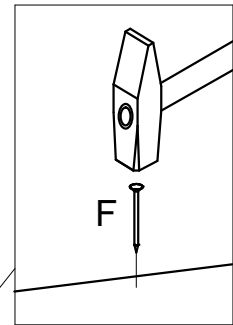
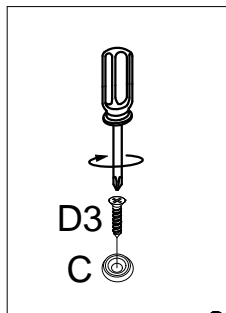
N x 4



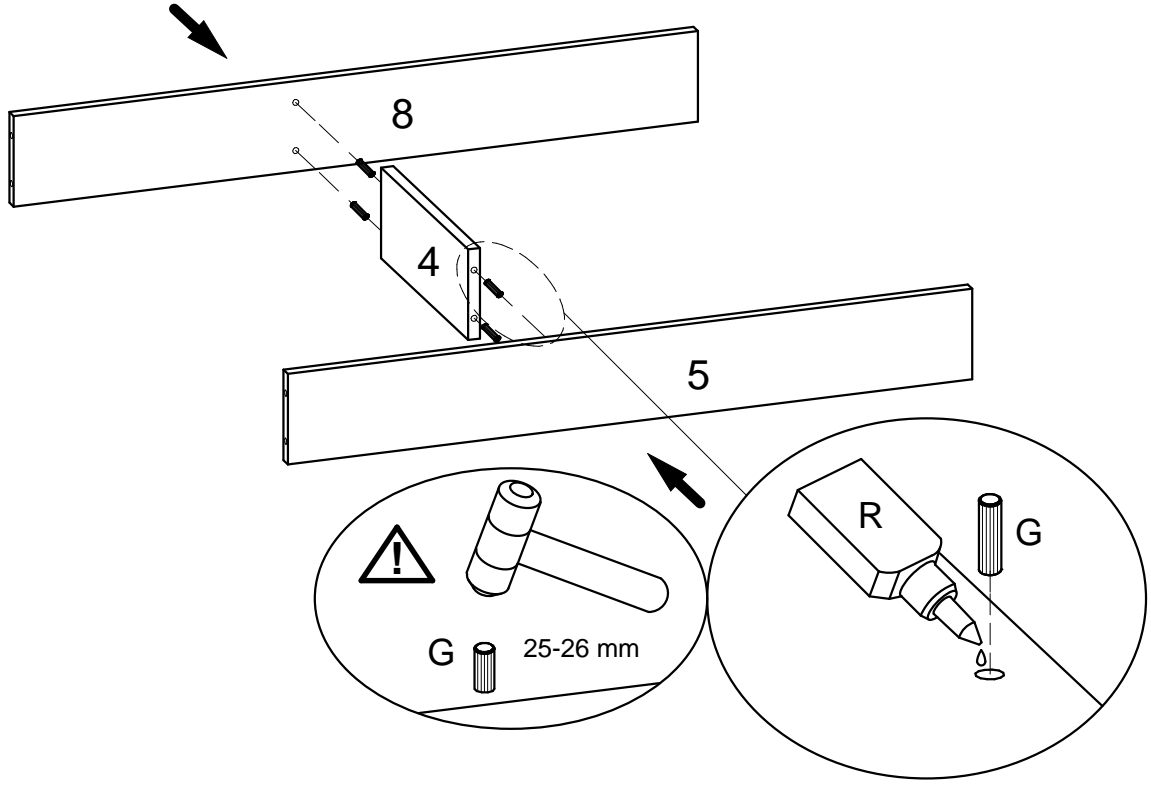
F x 56



$XX=YY \cong 90^\circ$

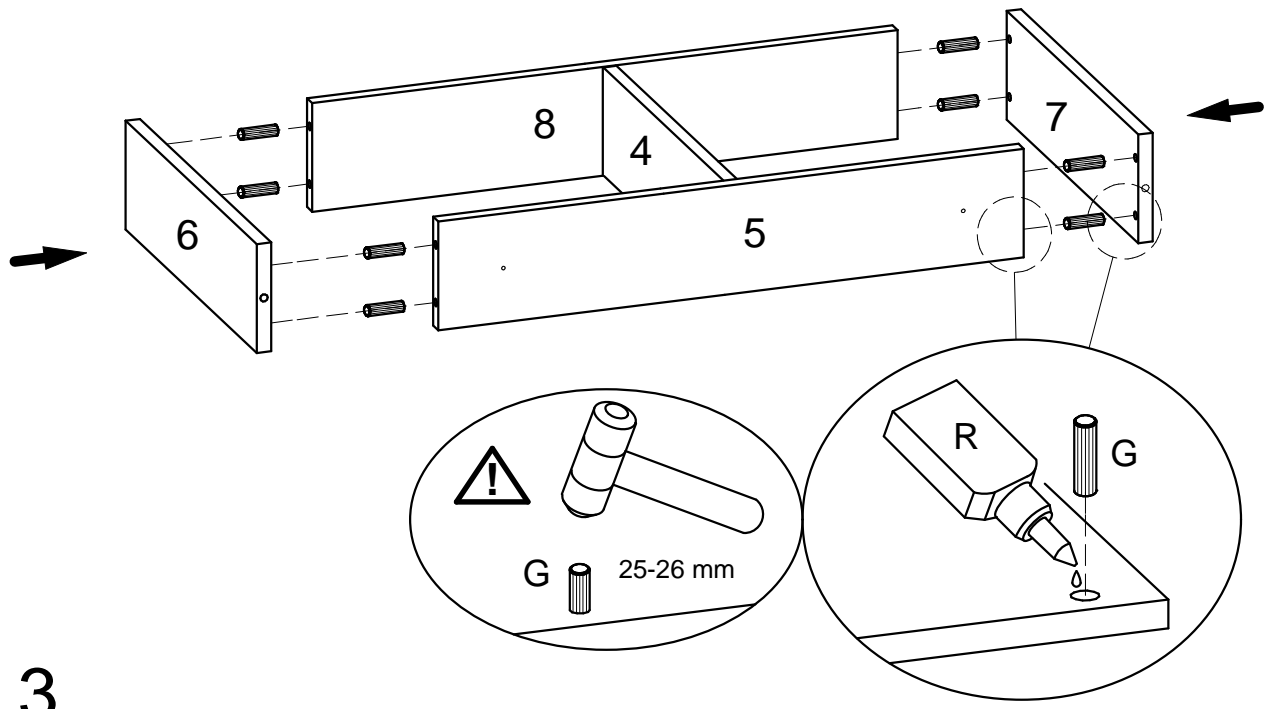


9



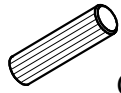
x 3

10

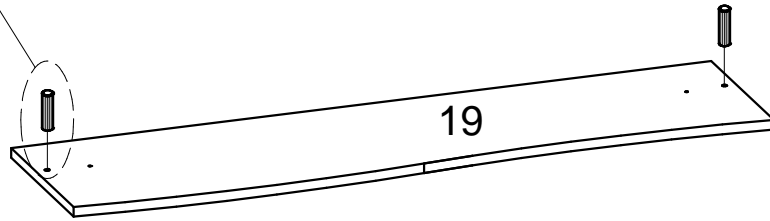
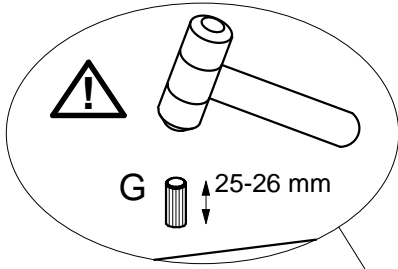
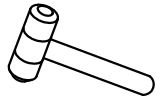


x 3

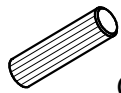
11



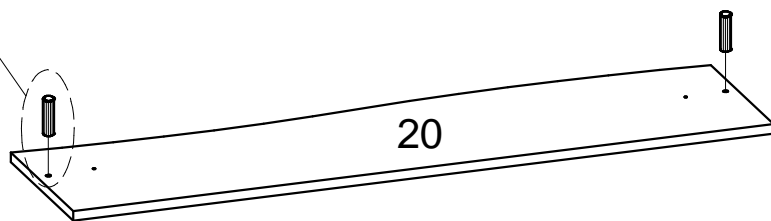
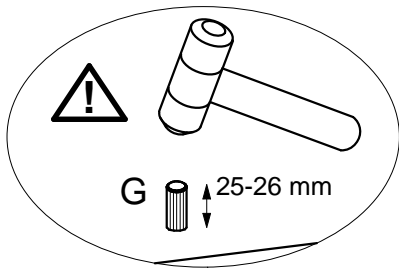
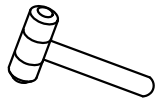
G x 2



12

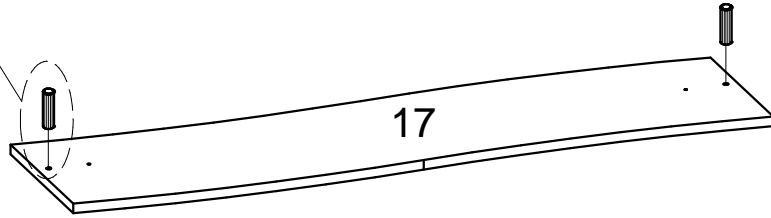
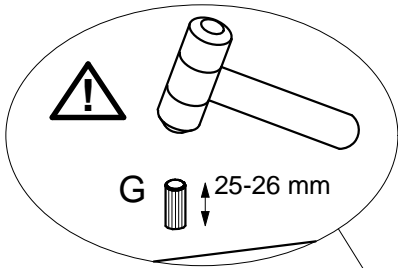
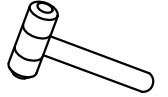


G x 2



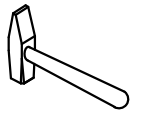
13

G x 2

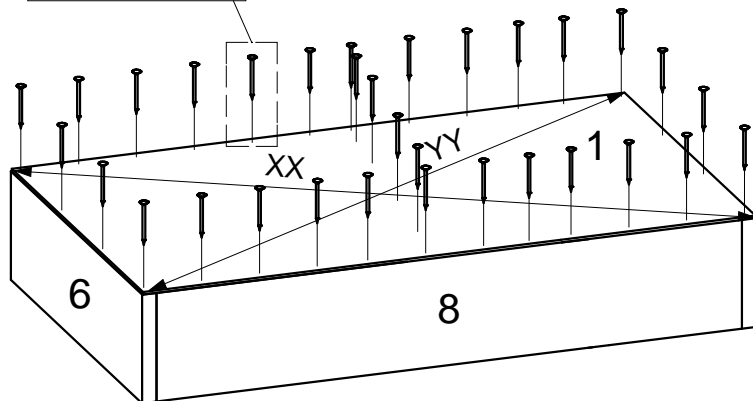
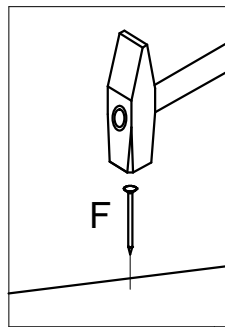


14

F x 96



! $XX=YY\cong 90^\circ$

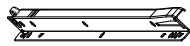


x 3

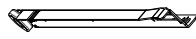
15



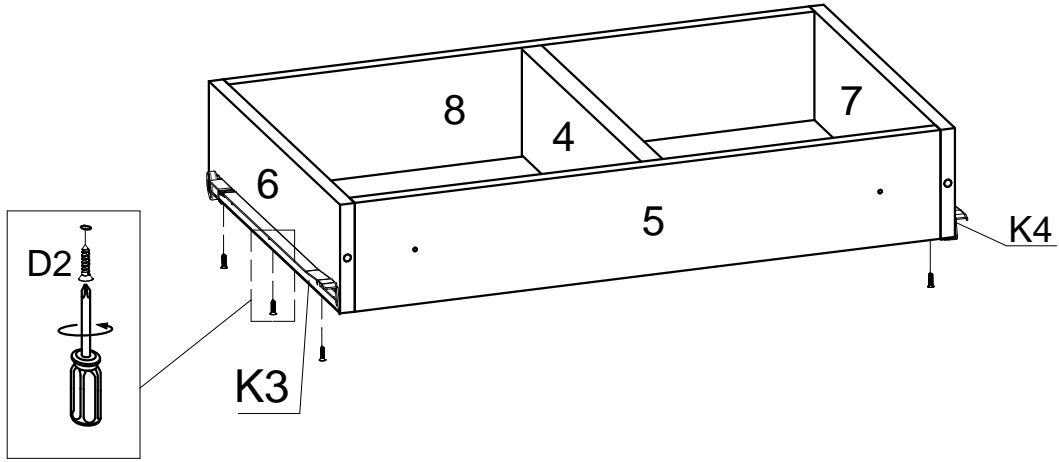
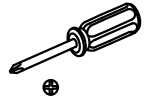
D2 x 18



K3 x 3



K4 x 3

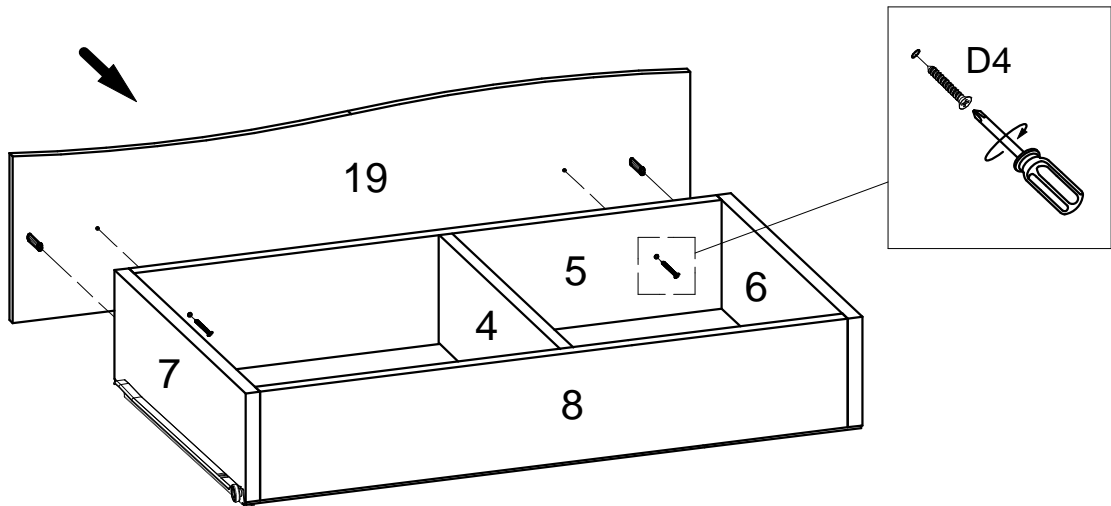
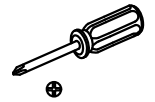


x 3

16



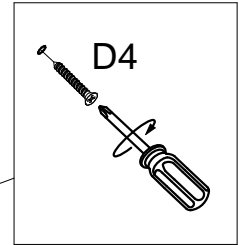
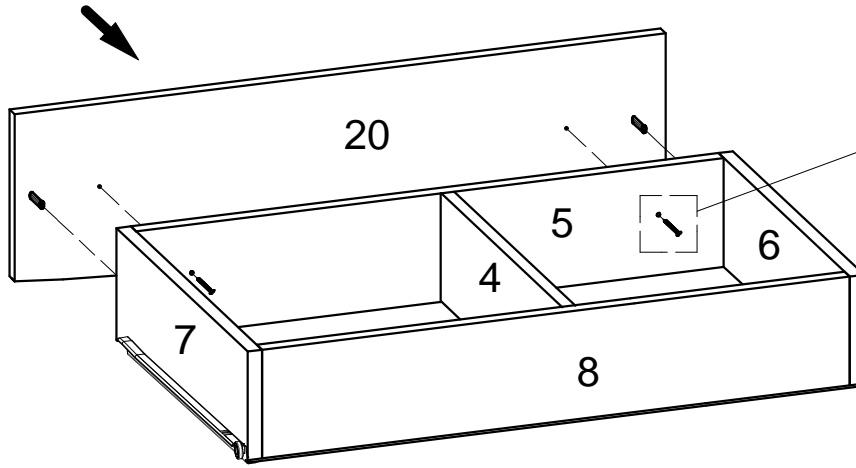
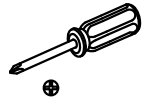
D4 x 2



17



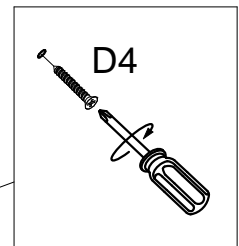
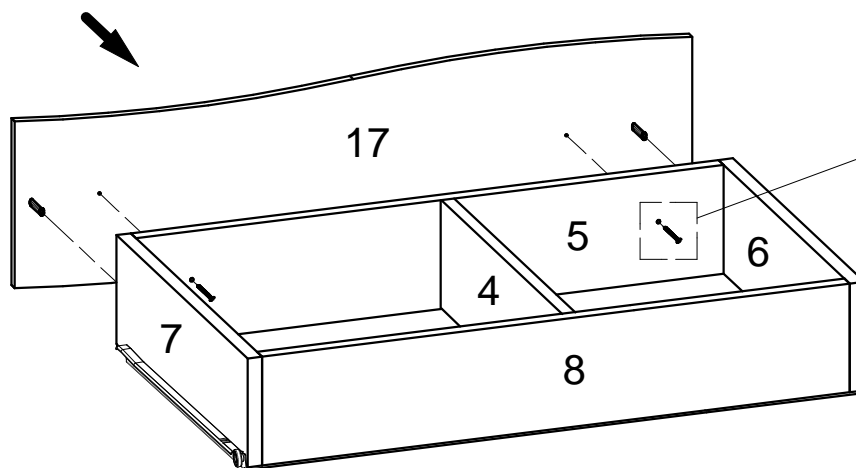
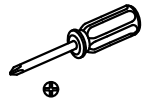
D4 x 2



18



D4 x 2



19

